



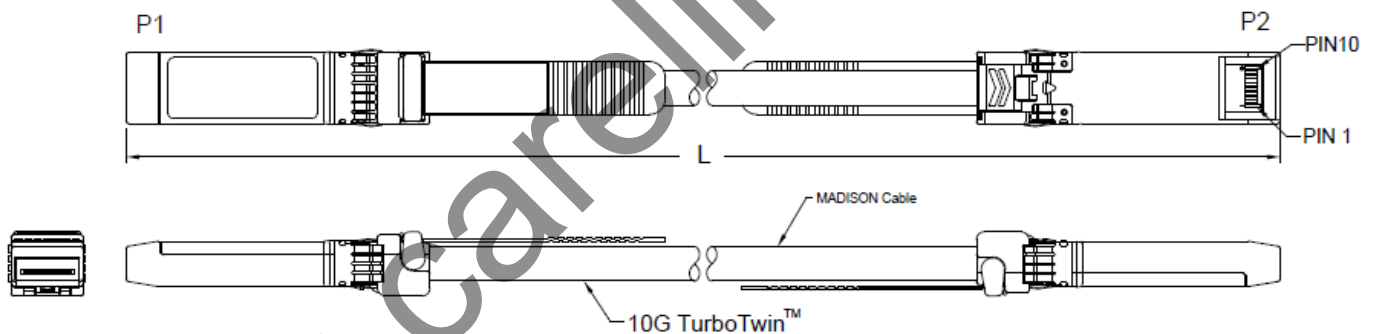
CL-D-PSFP+2-xxx (Passive cable)

Main Features



SFP 10G cable (passive) enables the host to detect the performance figures via Inter-IC bus protocol (I2C) and on-board EEPROM. It supports not only 10G Ethernet application, but also 10G Infiniband standards.

Specifications



CONNECTOR:

- P1 & P2: SFP+ MODULE
- (3) P.C.B.: 4 LAYERS, FR4, 30U" GOLD ON GOLDEN FINGERS.
- (2) LATCH: PC RESIN UL94V, COLOR IN BLACK.
- (1) HOOD: ZINC DIE CASTING, NICKEL PLATING.
- (4) SERIAL ID IC:
- (5) PULL TAB: NYLON UL94V-0, COLOR: WHITE.

WIRING CHART			
P1 END		P2 END	
P1 PAD	SIGNAL	P2 PAD	SIGNAL
12	RX-	19	TX-
13	RX+	18	TX+
GROUND		GROUND	
18	TX+	13	RX+
19	TX-	12	RX-
GROUND		GROUND	



CL-D-PSFP+2-xxx (Passive cable)

CABLE:

CONDUCTOR: 30 AWG SOLID SILVER PLATED COPPER.

INSULATION: FOAM POLYOLEFIN, COLOR - NATURAL.

PAIR: 2 SINGLES LAID FLAT AND PARALLEL.

CORE: 2 PAIRS

PAIR DRAIN: 30 AWG SOLID SILVER PLATED COPPER.

PAIR SHIELD: ALUMINUM/POLYESTER TAPE, ALUMINUM SIDE FACING IN.

INNER SHIELD: ALUMINUM/POLYESTER/ALUMINUM TAPE, 25% OVERLAP.

OUTER SHIELD: 38 AWG TIN PLATED COPPER BRAID, 85% COVERAGE.

JACKET: XPBT, COLOR - BLACK.

DIAMETER: 4.445 MM

DIFFERENTIAL IMPEDANCE: 100 ± 5 OHM @TDR.

PRINTED LEGEND: "TYPE CL2 75°C 30 AWG (UL) MADISON CABLE

CSA AWM II A/B 75C 30V FT4 TurboTwin™ 1 0G RoHS COMPLIANT (D/C)"

APPROVAL: UL TYPE CL2 AS SPECIFIED IN ARTICLE 725 OF THE NATIONAL ELECTRICAL CODE.

ITEM NO	Length	Wire Guage
CL-D-SFP+2-010	1M	30AWG
CL-D-SFP+2-020	2M	30AWG
CL-D-SFP+2-030	3M	30AWG
CL-D-SFP+2-050	5M	24AWG
CL-D-SFP+2-070	7M	24AWG